



British-built stoves, keeping the nation warm



We are very proud to be the best known and longest established name in British-built stoves. Villager is synonymous with excellent quality and reliability - we carefully recruit and train our staff to ensure that care and attention to detail is taken with every stove, and we have developed strong working relationships with our suppliers to ensure that only the finest raw materials go into our products. You can rely on a Villager Stove.



Villager stoves are designed and built to last, using only the finest raw materials. We use the perfect combination of highly-skilled, traditional stove making methods together with the latest manufacturing technology to bring you the high quality and robust reliability that Villager are renowned for. For the ultimate peace of mind each and every one of our stoves comes with a three year stove body guarantee.



CONTENTS

CHOOSING THE RIGHT STOVE	03
NEW Flexifuel SYSTEM	04
THE ENVIRONMENT & FUEL TYPES	05

MULTI FUEL STOVES

Puffin • Heron.....	06
Esprit Solo.....	07
Esprit Duo.....	08
Chelsea Solo.....	09
Chelsea Duo.....	10
Bayswater.....	11
Elite Twin Door.....	12

WOOD BURNING STOVES

C Flat Wood Solo.....	13
C Flat Wood Duo.....	14
Flatmate.....	15
A Flat Wood.....	16

STOVE SHELVES, HEARTHES & FIRE SURROUNDS	17-18
---------------------------------------------------------------	--------------

STOVE OPTIONAL EXTRAS	19
------------------------------------	-----------

ARADA ACCESSORIES	20
--------------------------------	-----------

TECHNICAL INFORMATION	21-22
------------------------------------	--------------



**MADE IN
BRITAIN**

CHOOSING THE RIGHT STOVE

If you are buying a stove for the first time, we offer the following advice to help you purchase the right stove for your needs.

The most important consideration when choosing a stove is the required output to heat the room in which it will be installed.

As a rough guide, measure the room and multiply width x depth x height (in metres), and divide this by 14. This will provide the average heating requirements for the room in kilowatts. This formula is assuming that the required room temperature is 20°C with an outside temperature of 0°C.

For example, a room measuring 4.8m x 4.8m x 2.6m, multiply 4.8 x 4.8 x 2.6 then divide by 14 which makes 4.3. The heat output required is 4.3kW; therefore the stylish Esprit 5 would be perfect for you.

Please remember that this is a guide only for an average room. The number of doors and windows in the room and other factors such as stairs leading off the room may increase the output required. Similarly a well insulated house may reduce the requirements. Please refer to your local supplier for further advice as every room is different.

You may also want to consider the size of the stove in relation to where it will be placed; more often than not, this will be in a chimney opening. If you are intending to install your stove in a fireplace or confined space, it is extremely important to maintain a clearance from non-combustible materials of 100 millimetres each side and 200 millimetres at the top. Full dimensions of our stoves can be found in the technical table on page 21.

WOOD BURNING OR MULTI FUEL

When buying your stove it is important to have a clear idea of what fuel you will be using. Wood and solid fuel burn in very different ways; wood burns best on a bed of ash with air circulating above it, whereas solid fuel will not burn unless there is air circulating below it. To maximise fuel efficiency, we define each of our stoves as wood burning only or multi fuel which can still burn wood but are also suited to solid fuel. Our brand new **Flexifuel** system is designed to give the highest efficiencies for both wood and solid fuels, see page 4. For more advice on fuel types, please see page 5.

ADD-IN BOILERS

Stainless steel add-in boilers are available for most Villager stoves, as indicated on each product page. These boilers are designed to utilise heat from the stove to heat hot water and on larger stoves a bathroom towel rail or small radiator.



We are sure you will find a stove within this brochure that will add a warming glow to the heart of your home.

NEW *Flexifuel* SYSTEM

(PATENT PENDING)



Our New *Flexifuel* system takes away the need to choose between a wood burning stove, solid fuel stove or multi fuel stove, allowing you to use the fuel of your choice.

- Unlike traditional grates the *Flexi*grate's design reduces the gaps between grate bars. Standard gaps cause heat loss by allowing hot embers to escape, un-burnt into the ash pan.
- The crucible shape of the *Flexi*grate ensures that fuel is constantly fed towards the centre of the fire therefore there is no un-burnt fuel.
- The *Flexi*grate's unique dimpled and grooved finish on the grate bars fill with a layer of ash, thus protecting them from hot embers and extending their life.
- The *Flexi*grate's unique crucible shape helps to build up a natural layer of ash. This builds a better base for the fire to burn on and optimises combustion efficiency.
- When burning wood, the *Flexi*grate's bars are shaped to match the contours of a deep wood burning tray, which allows you to load more wood.
- When burning solid fuel, the *Flexi*grate design allows enough air to pass through the grate bars to produce the maximum heat and combustion efficiency. At the same time, when the grate is riddled, ash is allowed to fall into the ash pan below to maintain operating performance.
- *Flexi*grate bars are specifically designed so that they can be replaced individually if damaged, rather than having to replace the whole grate.



THE ENVIRONMENT & FUEL TYPES

THE ENVIRONMENT

Coal, oil and gas are fossil fuels that have evolved from the decomposition of natural materials over millions of years. They emit high levels of carbon dioxide into the atmosphere during the combustion process which can damage the environment.

Wood is a carbon neutral fuel because the amount of carbon dioxide it will emit when burnt is only equal to the amount absorbed during the life of the tree. Therefore burning wood is kinder to the environment than any other domestic fuel.

SOLID FUEL



To burn solid fuel, your stove must have a cast iron grate. The burn will be controlled by the Primary Air Control, which controls the flow of air underneath the grate. Villager multi fuel stoves are designed to burn solid fuels overnight.

It is important to ensure that your fuel is intended for use in a stove. Arada recommend the use of HETAS approved smokeless fuels which have been deemed suitable for use on closed appliances, including multi fuel stoves. These include:

- Ancit™
- Coalite Newflame™
- Homefire™ (including Ecoal and Coals)
- Maxibrite™
- Phurnacite™
- Pureheat™
- Supertherm™
- Sunbrite™
- Taybrite™

WOOD



Burning wood requires a little effort and planning; to burn efficiently, wood needs to be well-seasoned with a moisture content of below 25%. You can buy ready-to-use wood locally or, if you have access to a free supply, you can chop your own. Once chopped, the logs need to be stored for at least a year in a dry shelter with good air circulation. Burning unseasoned wood can seriously damage your stove and the build-up of tar and other hazardous vapours it causes may lead to a chimney fire. Check that it is sufficiently dry with our Moisture Meter, see page twenty for more information.

Ideal types of wood to burn include:

- Beech
- Birch
- Elm
- Hawthorn
- Hazel
- Oak

PUFFIN • HERON

The smallest in the Villager range, the Puffin, and its slightly bigger brother, the Heron, offer the perfect solution for smaller living areas such as canal boats, mobile homes or to provide supplementary heating. These trusty little stoves have tons of character.

multi fuel



Features

- Burns wood and solid fuel
- Airwash system for clean glass
- Externally controlled riddling grate
- Fitted ash pan
- Top or rear 4" flue outlet
- Self-levelling rear legs

4kW Puffin and 5kW Heron models available.

Optional Extras

- Add-in boiler
- Floor fixing kit
- Metal ash carrier with lid

ESPRIT SOLO

Elegantly refined, the exquisite Esprit is the new cornerstone of the Villager range. With its modern, easy to use controls, large, gently curved glass and our market-leading airwash system, the clean burning Esprit gives superior control and an unparalleled view of the fire.

multi fuel



showroom
EXCLUSIVE



Features

- **NEW Flexifuel System***
- Burns wood and solid fuel
- Pre-stressed, curved body for superior strength
- Airwash system for clean glass
- Tertiary burn to maximise efficiency
- Externally controlled riddling grate
- Fitted ash pan
- Top or rear flue fitting
- Self-levelling rear legs
- Suitable for installation on a non-combustible 12mm hearth

5kW, 7kW, 8kW and 10kW
output models available

Optional Extras

- Add-in boiler
- Low canopy
- High canopy
- Stand
- Log store
- Floor fixing kit
- Metal ash carrier with lid

ESPRIT DUO

This two-door version of our award-winning Villager Esprit brings a touch of classic tradition to the Esprit range. The charmingly characterful Villager Esprit Duo offers exceptional ease of use and unsurpassable control of the fire.

multi fuel



showroom
EXCLUSIVE



Features

- **NEW Flexifuel System***
- Burns wood and solid fuel
- Pre-stressed, curved body for superior strength
- Airwash system for clean glass
- Tertiary burn to maximise efficiency
- Externally controlled riddling grate
- Fitted ash pan
- Top or rear flue fitting
- Self-levelling rear legs
- Suitable for installation on a non-combustible 12mm hearth

*Please refer to page 4

5kW, 7kW and 8kW output models available

Optional Extras

- Add-in boiler
- Low canopy
- High canopy
- Stand
- Log store
- Floor fixing kit
- Metal ash carrier with lid

CHELSEA SOLO

A dependable favourite amongst the Villager range. The Chelsea Solo, with its clean, simple design, large fire viewing window and advanced airwash system offers a hardy companion on a cold winters' night.

multi fuel



Features

- Burns wood and solid fuel
- Pre-stressed, curved body for superior strength
- Airwash system for clean glass
- Externally controlled riddling grate
- Fitted ash pan
- Top or rear 5" flue outlet
- Self-levelling rear legs
- Suitable for installation on a non-combustible 12mm hearth

5kW output.

Optional Extras

- Add-in boiler
- Low canopy
- High canopy
- Floor fixing kit
- Metal ash carrier with lid
- Drop-in conversion plate for dedicated wood burning

CHELSEA DUO

This two-door model offers a traditional feel to the much-loved Chelsea range. The tastefully chunky controls and fitted ash pan offer total ease of use whilst the curved-edge fire viewing windows and exposed door hinges give a rustic charm.

multi fuel



Features

- Burns wood and solid fuel
- Pre-stressed, curved body for superior strength
- Airwash system for clean glass
- Externally controlled riddling grate
- Fitted ash pan
- Top or rear 5" flue outlet
- Self-levelling rear legs
- Suitable for installation on a non-combustible 12mm hearth

5kW output.

Optional Extras

- Add-in boiler
- Low canopy
- High canopy
- Floor fixing kit
- Metal ash carrier with lid
- Drop-in conversion plate for dedicated wood burning

BAYSWATER

The graceful Bayswater is the hallmark of British-built stoves. Solid and reliable yet beautifully detailed and easy to control, the Bayswater will become the heart of your home.

multi fuel



Features

- Burns wood and solid fuel
- Pre-stressed, curved body for superior strength
- Airwash system for clean glass
- Externally controlled riddling grate
- Fitted ash pan
- Top or rear 5" flue outlet
- Self-levelling rear legs
- Suitable for installation on a non-combustible 12mm hearth

7kW output.

Optional Extras

- Add-in boiler
- Low canopy
- High canopy
- Floor fixing kit
- Metal ash carrier with lid
- Drop-in conversion plate for dedicated wood burning

ELITE TWIN DOOR

A timeless classic, the charmingly elegant appearance of the Villager Elite masks a powerful and robust stove with an impressive 9kW output. Featuring an excellent airwash system and easy to use riddling grate, the Elite gets the most from your fuel whilst keeping the stove glass sparkling clean.

multi fuel



Features

- Burns wood and solid fuel
- Pre-stressed, curved body for superior strength
- Airwash system for clean glass
- Externally controlled riddling grate
- Fitted ash pan
- Top or rear 6" flue outlet

9kW output.

Optional Extras

- Add-in boiler
- Metal ash carrier with lid
- Drop-in conversion plate for dedicated wood burning

C FLAT WOOD SOLO

If you are looking for the rustic simplicity of a truly traditional wood burning stove, the Villager C Flat Wood is perfect. This little gem is efficient yet uncomplicated and effortlessly easy to use. A true family favourite.

wood



Features

- Burns wood only
- Pre-stressed, curved body for superior strength
- Airwash system for clean glass
- Top or rear 5" flue outlet
- Self-levelling rear legs
- Suitable for installation on a non-combustible 12mm hearth

5kW output.

Optional Extras

- Add-in boiler
- Low canopy
- High canopy
- Floor fixing kit

C FLAT WOOD DUO

This two-door version of our smallest wood burning stove will give any room a homely feel whilst offering unparalleled ease of use with large, straight-forward controls and our highly effective airwash system to keep the glass clean.

WOOD



Features

- Burns wood only
- Pre-stressed, curved body for superior strength
- Airwash system for clean glass
- Top or rear 5" flue outlet
- Self-levelling rear legs
- Suitable for installation on a non-combustible 12mm hearth

5kW output.

Optional Extras

- Add-in boiler
- Low canopy
- High canopy
- Floor fixing kit

FLATMATE

Our most popular wood burning stove, the handsome Villager Flatmate offers an abundance of charm and character with an admirable output of 8kW. This versatile stove can be converted to burn solid fuel.

wood



Features

- Burns wood only
- Pre-stressed, curved body for superior strength
- Airwash system for clean glass
- Top or rear 5" flue outlet
- Self-levelling rear legs

8kW output.

Optional Extras

- Add-in boiler
- Low canopy
- High canopy
- Floor fixing kit
- Solid fuel grate conversion kit

A FLAT WOOD

Our most powerful wood burning stove. The A Flat Wood offers an astonishing 14kW output and is a charming addition to the quintessential inglenook fireplace of an idyllic country cottage or farmhouse, but don't be fooled by its traditional appearance, this hearty stove is built for performance and durability.

WOOD



Features

- Burns wood only
- Pre-stressed, curved body for superior strength
- Airwash system for clean glass
- Top or rear 6" flue outlet
- Self-levelling rear legs

14kW output.

Optional Extras

- Add-in boiler
- Low canopy
- High canopy
- Floor fixing kit
- Solid fuel grate conversion kit

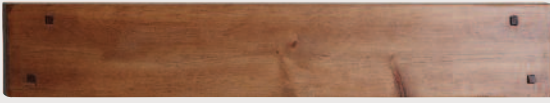
STOVE SHELVES, HEARTHES & FIRE SURROUNDS

To complete your installation, Villager offers a range of stove shelves, hearths and fire surrounds to complement any stove and create an attractive fireplace in your home. Our collections of handcrafted traditional and contemporary styles encompass the truly excellent design and impeccable quality that is associated with all our products.

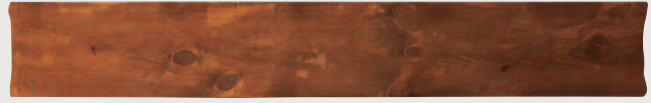


1. STOVE SHELVES

Our stove shelves are manufactured using the finest solid wood in a standard length of 1372mm (54" approx.). They are easy to install and come complete with all the required fittings.



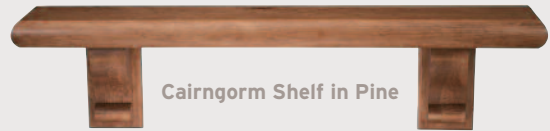
Cottage Beam in Pine



York Beam in Pine



Grosvenor Shelf in Oak



Cairngorm Shelf in Pine

2. FIRE SURROUNDS

The fire surrounds come in a choice of Limestone or Black Slate finishes to fit 900mm (36" approx.) or 1016mm (40" approx.) square openings. The overall sizes of the surrounds are 1500mm (w) x 1200mm (h) and 1616mm (w) x 1316mm (h).



3. HEARTHES

Both inner and outer hearths are available in Black Slate and come in a range of sizes from 762mm to 1016mm (30" to 40" approx.) by 381mm (15" approx.) for the inner hearths and 900mm to 1500mm (36" to 60" approx.) by 381mm (15" approx.) for the outer hearths.



STOVE OPTIONAL EXTRAS

Villager offers a range of optional extras to complement our range of stoves; some assist in installation and long term maintenance of the stove, whilst others enhance performance. There are also accessories to alter the appearance of the stove to suit individual tastes, or to help adapt the stove to match the interior of the room.

For exact details of which optional extras are available for each stove, please refer to the specific product page.

ADD-ON CANOPIES

Add-on canopies are designed to give a more traditional look to your stove and are often used to fill the space in a large inglenook fireplace. They can be fitted before or after the stove installation in either low or high versions.



LOG STORE

A useful log store is available for some Villager stove models. It will not only raise the level of your stove, but also provides a convenient and safe place to store your logs.



STAND

The Villager Esprit stoves can be fitted onto a stand to raise the level of the fire.



ASH CARRIER

Metal ash carriers are available for most Villager stoves. With its own lid, Villager ash carriers make ash removal quick, easy, clean and safe.



FLOOR FIXING KIT

Floor fixing kits are available for some Villager stoves to give added stability. On some models the self-levelling mechanism would need to be removed.



ADD-IN BOILERS*

Add-in boilers are available for all Villager stoves. They are easily fitted replacing the back fire bricks. The tapping position for the boiler is already cut into the stove body as standard.



*1 year guarantee

ARADA ACCESSORIES

To maximise the enjoyment of your stove and keep it looking good and working well, Arada has developed a comprehensive range of accessories and maintenance products:



FIRE CEMENT

For sealing in stoves and connecting flue pipe.

GLASS CLEANER

To keep your stove glass sparkling clean.

ANTHRACITE PAINT

An easy-to-use spray that will keep your stove looking as good as new.

MULTI-PURPOSE STOVE WIPES

Lint-free cloths to wipe away everyday dust. Also ideal during preparation when re-spraying your stove.

HEAT RESISTANT GLOVE

Designed to protect your hands whilst refuelling and operating your stove.

HIGH TEMPERATURE ROPE ADHESIVE

High temperature door rope seal adhesive.

STOVE PIPE THERMOMETER

An ideal accessory to help you maximise fuel efficiency and reduce pollution by allowing you to identify when your stove is running at its optimum temperature.

MOISTURE METER

Allows you to check that your wood is sufficiently dry to burn at maximum efficiency, helping you to get more from your fuel.

FLUE AND CHIMNEY SOOT REMOVER

Use regularly to reduce the risk of a chimney fire by preventing the build-up of tar, creosote and soot.

FIRE STARTER KIT

Everything you need for the first firing of your stove; advice on how to lay the fire, kindling, Flamers (firelighters), matches and kiln-dried logs.

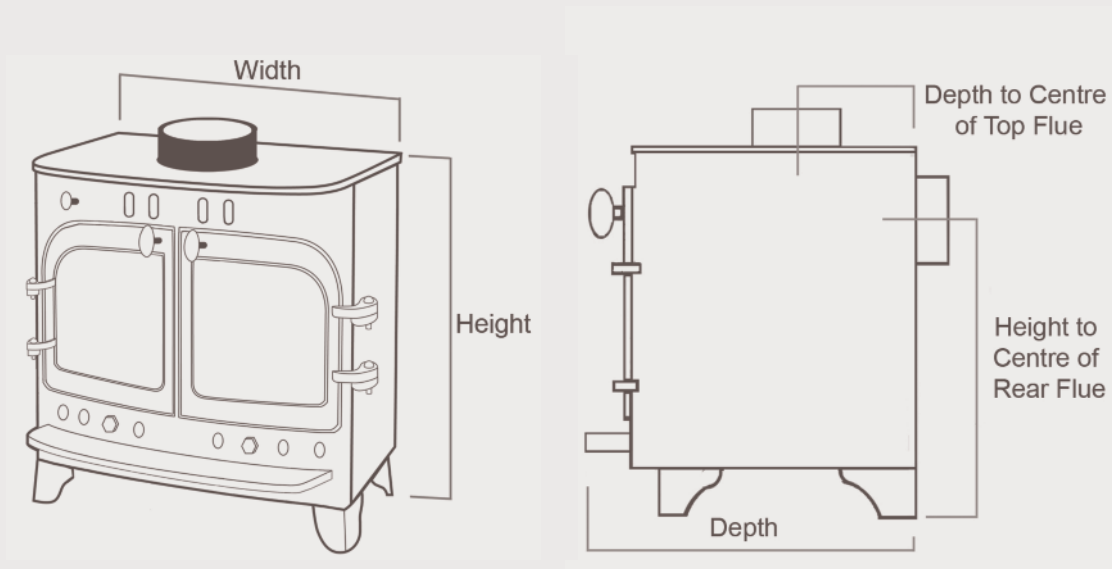
TECHNICAL INFORMATION

Description	Output kW	Height		Width		Depth		Height to centre of rear flue		Depth from back to centre of top flue	
		mm	inches	mm	inches	mm	inches	mm	inches	mm	inches
MULTI FUEL STOVES											
Puffin	1 - 4	546	21½	330	13	355	14	452.5	17¾	93.5	3¾
Heron	1 - 5	558	22	370	14½	355	14	464.5	18½	93.5	3¾
Esprit Solo 5	1 - 5	508	20	474	18¾	363	14½	414	16½	98	4
Esprit Solo 7	1.5 - 7	520	20½	530	20¾	368	14½	414	16½	110	4½
Esprit Solo 8	1.5 - 8	560	22	608	24	355	14	449	17½	110	4½
Esprit Solo 10	1.5 - 10	575	22½	695	27½	372	14½	464	18½	110	4½
Esprit Duo 5	1 - 5	508	20	474	18¾	363	14½	414	16½	98	4
Esprit Duo 7	1.5 - 7	520	20½	530	20¾	368	14½	414	16½	110	4½
Esprit Duo 8	1.5 - 8	560	22	608	24	355	14	449	17½	110	4½
Chelsea Solo	1 - 5	495	19½	457	18	334	13¼	375	14¾	102	4
Chelsea Duo	1 - 5	495	19½	457	18	334	13¼	375	14¾	102	4
Bayswater	1.5 - 7	540	21¼	601	23¾	360	14¼	425	16¾	137	5½
Elite Twin Door	1.5 - 9	601	23¾	666	26¼	380	15	484	19	138	5½
WOOD STOVES											
C Flat Wood Solo	1 - 5	495	19½	457	18	334	13¼	395	15½	102	4
C Flat Wood Duo	1 - 5	495	19½	457	18	334	13¼	395	15½	102	4
Flatmate	1.5 - 8	575	22¾	573	22½	353	14	460	18	110	4¼
A Flat Wood	2 - 14	595	23½	699	27½	475	18¾	467.5	18½	135	5¼

Notes:

* - This measurement includes the height of the legs (where supplied) and is to the top of the stove only, when using top flue please add 100mm for the flue collar.

*1 - Will also increase height to centre of rear flue by same amount.



Flue Diameter		Weight packed	Ideal log length		Nett Efficiency	Add in boiler type	Output to room	Output to water			Added height of add on low canopy		Added height of add on high canopy		Added height when on stand *1		Added height when on log store *1	
mm	inches	kg	mm	inches	%	type	kW	kW	BTU's	mm	inches	mm	inches	mm	inches	mm	inches	
102	4	48	225	8¾	78	AIB0	2.2	1.8	5973	-	-	-	-	-	-	-	-	
102	4	51	225	8¾	76	AIB0	3.2	1.8	5973	-	-	-	-	-	-	-	-	
102	4	70	325	12¾	77.5	AIBV018	3.4	1.6	5462	160	6¼	260	10¼	122	4¾	278	11	
127	5	80	350	13¾	72.15	AIBV019	5.4	1.6	5462	160	6¼	260	10¼	122	4¾	278	11	
127	5	90	400	15¾	80.4	AIBV016	5.1	2.9	9900	200	7¾	300	11¾	122	4¾	278	11	
127	5	142	475	18¾	75.8	AIBV017	6.6	3.4	11607	200	7¾	300	11¾	122	4¾	278	11	
102	4	70	325	12¾	77.5	AIBV018	3.4	1.6	5462	160	6¼	260	10¼	122	4¾	278	11	
127	5	81	350	13¾	72.15	AIBV019	5.4	1.6	5462	160	6¼	260	10¼	122	4¾	278	11	
127	5	90	400	15¾	80.4	AIBV016	5.1	2.9	9900	200	7¾	300	11¾	122	4¾	278	11	
127	5	62	300	11¾	71.7	AIBV007	1.6	3.4	11625	143.5	5¾	236	9¼	-	-	-	-	
127	5	62	300	11¾	71.7	AIBV007	1.6	3.4	11625	143.5	5¾	236	9¼	-	-	-	-	
127	5	80	400	15¾	71.8	AIBV009	2.4	4.6	15629	180	7	260	10¼	-	-	-	-	
152	6	95	400	15¾	76.1	AIBV008	5.3	3.7	12516	-	-	-	-	-	-	-	-	
127	5	60	300	11¾	79	AIBV007	2.1	2.9	9900	143.5	5¾	236	9¼	-	-	-	-	
127	5	60	300	11¾	79	AIBV007	2.1	2.9	9900	143.5	5¾	236	9¼	-	-	-	-	
127	5	67	400	15¾	78.4	AIBV009	3.4	4.6	15629	180	7	260	10¼	-	-	-	-	
152	6	85	450	17¾	71.5	AIBV001	9.3	4.7	15984	209	8¼	339	13¼	-	-	-	-	



British-built stoves, keeping the nation warm

The Fireworks • Weycroft Avenue
Axminster • Devon • EX13 5HU

T: +44 (0)1297 35700 • **F:** +44 (0)1297 35900

E: stoves@villager.co.uk • **W:** www.villager.co.uk

Every effort has been made to ensure that the information contained in this brochure is accurate as of August 2012. Arada Ltd reserves the right, whilst preserving the essential characteristics of our product range, to introduce at any time, modifications, changes of details or accessories.

E and OE.

Some of the photographs in this brochure have been created for illustration purposes only and may not represent real live installations.

This brochure is copyright 2012 and may not be reproduced in any part or form without prior written consent from Arada Ltd.

Version 1.1



MADE IN BRITAIN



Designed by aztecmedia.eu