



**NOT SOLD  
ON THE  
INTERNET**

New Season New Stoves

# Cleanburn

High-performance heating, certified for lower emissions





# Contents

Choose **economy**, **efficiency**, and **performance**.  
Look for the **CLEANBURN** name.

Choosing a woodburner can be difficult. In looks, in style, and in jargon, many stoves may seem the same. But they're not. Ignore the replicas and choose Cleanburn – the innovative stove range that's leading the industry.

## Look For:

### Economy

The basic cost of well-seasoned logs is currently on par with natural gas and less than a third of the cost of electricity (Solid Fuel Technology Institute, 2013). But other factors influence economy, which is irrevocably linked to efficiency.

### Efficiency

Build quality and air-flow affect efficiency, which is independently tested to give you an unbiased report. Scrutinise the small print. Look for a stove with certified efficiency of 75 - 89%. Your car probably runs at about 25%.

### Performance

Woodburners aren't what they used to be. Cleanburn technology provides a fire that's bright, clean, and effective. It's based on three streams of air that ensure ignition is quick and consistent. That's why we called it Clean Burn.

## Not Forgetting:

Scandinavian style, colour options, and ample single doors. We've got those too...

A clean sweep / Defra Approved	01
Norwegian Standard	02
<b>NEW</b> Sønderskoven Inset 5	03 - 04
Løvenholm	05 - 10
Nørreskoven Mk2	11 - 16
Sønderskoven Inset 8	17 - 18
Skagen	19 - 20
Sønderskoven	21 - 26
Tripleburn® technology	27 - 28
Options	29 - 30
FAQs	31 - 32
Cleanburn technical key	33 - 34
Technical specifications	35 - 39



NB. All images in this catalogue are for illustrative purposes only.

Cleanburn Stoves strongly recommend that the suitability of any installation should firstly be agreed with a HETAS qualified installer or similarly competent professional, to ensure compliance with the recent changes to the Building Regulations. Cleanburn Stoves will not be held responsible for any losses, however arising, from inappropriate installations by unqualified or non-competent installers. An inappropriate installation may also invalidate claims made under a manufacturer's warranty or guarantee.

# A clean sweep

The Cleanburn range is gathering accolades across Britain and Europe. In independent tests it delivers outstanding performance. Have a closer look at some of their credentials.

## First: can you trust a test?

Not always. In the UK, testing requirements mean that a stove can be tested for output then altered by the manufacturer to suit the emissions test. This means that test statistics for some stoves can be misleading. But Cleanburn stoves are sent for both tests at once, guaranteeing that your stove will perform just as well as the test model.



## ✓ DEFRA Clean Air Act Approved

Løvenholm, Nørreskoven Mk2,  
Sønderskoven Inset & Skagen

Meeting the rigid criteria of the Department for the Environment, Food & Rural Affairs is no small challenge. DEFRA has declared the Løvenholm, Nørreskoven Mk2, Sønderskoven Inset & Skagen stoves exempt from the Clean Air Act. This means they are permitted for use in Smoke Control Areas, as levels of particle emission are so low.

# Norwegian Standard (NS)

## Løvenholm

The Norwegian Standard is probably the most stringent emissions standard in the world – and the Løvenholm is one of very few stoves in Britain to meet it.

The issuing organisation, Standards Norway, works with bodies like ISO to draft new standards that challenge manufacturers to improve quality and safety. After independent tests at a laboratory in Aarhus, Denmark, the Løvenholm passed with flying colours.

To meet the standard, we've spent years investing heavily in research and development. Our quality control is second-to-none. This means that every Løvenholm will perform as beautifully as the one we sent to Denmark.

## Check The Certificates.

It's a simple idea.  
Raise your expectations, and others will follow.





# Sønderskoven Inset 5

NEW

Regain control over your heating costs by installing the Sønderskoven Inset. Equipped with all the latest technology, it ensures you get more heat from every log. In independent tests, the Sønderskoven Inset achieved efficiency of 77.1%. Compare that to a standard open fire, which utilises about 25% of what you put in. (Solid Fuel Technology Institute, 2013.) Thanks to revolutionary TripleBurn, the Sønderskoven Inset delivers far more blaze for your budget.

- ✓ 3-5kw heat output range
- ✓ Tripleburn® technology
- ✓ Convection Body Construction
- ✓ Hot air wash keeps glass clean
- ✓ Dust free, safe and easy riddling
- ✓ No air brick necessary
- ✓ Multi-fuel grate system accommodates wood or solid fuel
- ✓ Can be installed on a 12mm hearth
- ✓ Single door
- ✓ Enhanced primary air for fast light up
- ✓ Available in Midnight Black, Forest Green, Almond, Pewter Silver or Cloudy Blue.



Sønderskoven Inset single door with stainless steel handle set.



Sønderskoven  
inset stove is  
DEFRA approved.



Sønderskoven Inset 5 is DEFRA approved. Can be installed on a 12mm hearth.



# Løvenholm Traditional

It's the pinnacle of all we know about firemaking: meet the widely-imitated Løvenholm. It's a traditional wood-burning stove packed with features, including Tripleburn and the hot airwash. But the very best part is its super-clean burn – certified by the Danish testing house. This is a serious stove.

- ✓ 3-5kw heat output range
- ✓ Tripleburn® technology
- ✓ Hot air wash keeps glass clean
- ✓ Dust free, safe and easy riddling
- ✓ No air brick necessary
- ✓ Multi-fuel grate system accommodates wood or solid fuel
- ✓ Can be installed on a 12mm hearth
- ✓ Single (shown here) or double door  
NB. ONLY available as a wood version when single door
- ✓ Enhanced primary air for fast light up
- ✓ Available in Midnight Black, Forest Green, Almond, Pewter Silver or Cloudy Blue.



Løvenholm single door



Løvenholm  
Stoves are DEFRA  
approved.



Løvenholm Traditional Stoves are DEFRA approved. Can be installed on a 12mm hearth.

# Løvenholm Traditional

The Løvenholm sets a new standard. It sailed through DEFRA approval, so we despatched it to Denmark to be scrutinised by lab testers. The Løvenholm came up trumps – with outstandingly low levels of particulate emission. (0.19% CO to be precise.) Take a look in the firebox and you'll see flames burning brightly with an upward airstream. These are signs of a fire that's effective and virtually smoke-free.

- ✓ 3-5kw heat output range
- ✓ Tripleburn® technology
- ✓ Hot air wash keeps glass clean
- ✓ Dust free, safe and easy riddling
- ✓ No air brick necessary
- ✓ Multi-fuel grate system accommodates wood or solid fuel
- ✓ Can be installed on a 12mm hearth
- ✓ Single or double door (shown here)
- ✓ NB. ONLY available as a wood version when single door
- ✓ Enhanced primary air for fast light up
- ✓ Available in Midnight Black, Forest Green, Almond, Pewter Silver or Cloudy Blue.



Løvenholm double door with Almond finish



Løvenholm  
Stoves are DEFRA  
approved.



Løvenholm Traditional Stoves are DEFRA approved. Can be installed on a 12mm hearth.



# Løvenholm European

Elegant European styling gives our finest stove a contemporary look. Since its introduction, the Løvenholm has become an instant classic. And now our designers have given it a continental twist, with seamless legs to house a log-store. All the same features, every inch a Løvenholm. The styling's down to you.

- ✓ 3-5kw heat output range
- ✓ Tripleburn® technology
- ✓ Hot air wash keeps glass clean
- ✓ Dust free, safe and easy riddling
- ✓ No air brick necessary
- ✓ Multi-fuel grate system accommodates solid fuel
- ✓ Can be installed on a 12mm hearth
- ✓ Single or double door
- ✓ Enhanced primary air for fast light up
- ✓ Available in Midnight Black, Forest Green, Almond, Pewter Silver or Cloud Blue.



(L) Løvenholm European double door (R) Løvenholm European single door with black handle set.



Løvenholm  
Stoves are DEFRA  
approved.





# Nørreskoven Mk2 Traditional

Fire may be an ancient art, but we've revolutionised the way it works. The traditional-style Nørreskoven is equipped with technology such as TripleBurn, a tertiary airstream system that ignites, reignites and radiates the fire with ease. Unlike an open fire, the Nørreskoven burns evenly at an adjustable pace, convecting heat in an efficient manner. Perfect for modern demands.

- ✓ 4-6kW heat output range
- ✓ Tripleburn® technology
- ✓ Twin Skin Surround Convection Body
- ✓ Hot air wash keeps glass clean
- ✓ Dust free, safe and easy riddling
- ✓ No air brick necessary
- ✓ Multi-fuel grate system accommodates wood or solid fuel
- ✓ Can be installed on a 12mm hearth
- ✓ Single or double door
- ✓ Enhanced primary air for fast light up
- ✓ Available in Midnight Black, Forest Green, Almond, Pewter Silver or Cloudy Blue.



Nørreskoven Mk2  
Stoves are  
DEFRA approved.



(L) Nørreskoven Mk2 Traditional, double door. (R) Nørreskoven Traditional with single door and stainless steel handle set.





# Nørreskoven Mk2 European

You don't need a fireplace or mantel for this freestanding, contemporary model. The Nørreskoven European is an all-in-one unit with an integrated log store. With a compact footprint, it looks impressive from every angle. The heat output range of 4-6kW is ample for a room of up to 45m<sup>2</sup>. Because it's built from traditional cast iron and steel (in a choice of finishes), the Nørreskoven European releases heat slowly to maintain an even temperature.

- ✓ 4-6kW heat output range
- ✓ Tripleburn® technology
- ✓ Convection Body Construction
- ✓ Hot air wash keeps glass clean
- ✓ Dust free, safe and easy riddling
- ✓ No air brick necessary
- ✓ Multi-fuel grate system accommodates wood or solid fuel
- ✓ Can be installed on a 12mm hearth
- ✓ Single or double door
- ✓ Enhanced primary air for fast light up
- ✓ Available in Midnight Black, Forest Green, Almond, Pewter Silver or Cloudy Blue.



Nørreskoven European with single door. Double door option also available



Nørreskoven Mk2  
Stoves are DEFRA  
approved.



Nørreskoven Mk2 European Stoves are DEFRA approved. Can be installed on a 12mm hearth.



# Nørreskoven Pedestal

Not just a design statement. The contemporary Pedestal shape provides better heat convection for large spaces, radiating from the sides as well as top and front. Nørreskoven's incredibly low emissions make it a talking point among company. How does it perform so well? You could explain that it's fitted out with our signature technology, including TripleBurn and a hot airwash. Or put it down to your excellent firebuilding skills.

- ✓ 4-6kW heat output range
- ✓ Tripleburn® technology
- ✓ Twin Skin Surround Convection Body
- ✓ Hot air wash keeps glass clean
- ✓ Dust free, safe and easy riddling
- ✓ No air brick necessary
- ✓ Multi-fuel grate system accommodates wood or solid fuel
- ✓ Can be installed on a 12mm hearth
- ✓ Single or double door
- ✓ Enhanced primary air for fast light up
- ✓ Available in Midnight Black, Forest Green, Almond, Pewter Silver or Cloudy Blue.



Nørreskoven Pedestal with single door option. Double door option also available





# Sønderskoven Inset 8

Need to keep a low profile? This Inset stove fits into the hearth. It's a clean Scandinavian look with impressively low emissions – suitable even for Smoke Control Areas. With an output of 5-8kW, the Sønderskoven can warm up a pretty considerable living space (45 m<sup>2</sup>).

- ✓ 5-8kW heat output range
- ✓ Tripleburn® technology
- ✓ Convection Body Construction
- ✓ Hot air wash keeps glass clean
- ✓ Dust free, safe and easy riddling
- ✓ No air brick necessary
- ✓ Multi-fuel grate system accommodates wood or solid fuel
- ✓ Can be installed on a 12mm hearth
- ✓ Single or double door
- ✓ Enhanced primary air for fast light up
- ✓ Available in Midnight Black, Forest Green, Almond, Pewter Silver or Cloudy Blue.



(L) Sønderskoven Inset 8 single door (R) Sønderskoven Inset 8 double door with stainless steel handle set.



Sønderskoven  
inset stove is  
DEFRA approved.





# Skagen Traditional

Your stove will be used daily during winter months, so functionality is important. Things like a hot airwash to keep the glass as clean as possible. And, now, an innovative airflow panel that opens with one touch. It's easy to access and even easier to use, putting complete control at your fingertips. DEFRA doesn't care about these details, but you will.

- ✓ 6-9kW heat output range
- ✓ Tripleburn® technology
- ✓ Convection Body Construction
- ✓ Hot air wash keeps glass clean
- ✓ Dust free, safe and easy riddling
- ✓ Multi-fuel grate system accommodates wood or solid fuel
- ✓ Can be installed on a 12mm hearth
- ✓ Single door
- ✓ Enhanced primary air for fast light up
- ✓ Available in Midnight Black, Forest Green, Almond, Pewter Silver or Cloudy Blue.



Skagen Traditional single door



Skagen Traditional stove is DEFRA approved.



Skagen Traditional Stoves are DEFRA approved. Can be installed on a 12mm hearth.



# Sønderskoven Traditional

Looking for the big one? Here's our family-sized model. Built with every technology, it combines mammoth output with Cleanburn performance – it's even suitable for Smoke Control Areas. A cool-touch tool makes it easy to use, allowing you to adjust heat levels and maintain a comfortable temperature. The Sønderskoven is suitable for open-plan and big spaces of up to 70m<sup>2</sup>.

- ✓ 7-10kW heat output range
- ✓ Tripleburn® technology
- ✓ Convection Body Construction
- ✓ Hot air wash keeps glass clean
- ✓ Dust free, safe and easy riddling
- ✓ Multi-fuel grate system accommodates wood or solid fuel
- ✓ Can be installed on a 12mm hearth
- ✓ Available as single door
- ✓ Enhanced primary air for fast light up
- ✓ Available in Midnight Black, Forest Green, Almond, Pewter Silver or Cloudy Blue.



(L) Sønderskoven Traditional single door (R) Sønderskoven Traditional double door.





# Sønderskoven European

The freestanding European model is a highly fashionable style, but not to be confused with an inferior version. The Sønderskoven's phenomenal output is matched by impressive efficiency – particulate emissions at a mere 0.3% CO - so you can heat a vast area quickly. It boasts our user-friendly control panel, complete with stay-clean glass and cool-touch riddling handle. The beautiful simplicity of good technology.

- ✓ 7-10kW heat output range
- ✓ Tripleburn® technology
- ✓ Convection Body Construction
- ✓ Hot air wash keeps glass clean
- ✓ Dust free, safe and easy riddling
- ✓ Multi-fuel grate system accommodates wood or solid fuel
- ✓ Can be installed on a 12mm hearth
- ✓ Single or double door
- ✓ Enhanced primary air for fast light up
- ✓ Available in Midnight Black, Forest Green, Almond, Pewter Silver or Cloudy Blue.



Sønderskoven European single door. Double door option also available.





# Sønderskoven Pedestal

A dramatic monolith for the living room, the Sønderskoven Pedestal makes an impact – while remaining carbon-neutral. The biggest stove in the Cleanburn range, the Sønderskoven has an impressive efficiency of 78.9% - ensuring you get every penny back from your fuel. The Pedestal is an effective heat convetor, radiating heat from all sides, which makes it perfect for open plan spaces.

- ✓ 7-10kW heat output range
- ✓ Tripleburn® technology
- ✓ Convection Body Construction
- ✓ Hot air wash keeps glass clean
- ✓ Dust free, safe and easy riddling
- ✓ Multi-fuel grate system accommodates wood or solid fuel
- ✓ Can be installed on a 12mm hearth
- ✓ Single door
- ✓ Enhanced primary air for fast light up
- ✓ Available in Midnight Black, Forest Green, Almond, Pewter Silver or Cloudy Blue.



Sønderskoven Pedestal with single door.





# Tripleburn<sup>®</sup> technology

How does our famous Triple Burn work? It involves the use of three streams of air to maximise combustion. Air is drawn in beneath the fuel, above the fuel (passing in front of the glass door), and behind the fuel. This hot air improves ignition so that the wood or smokeless fuel is burned more efficiently.

What this efficiency actually means is that you'll get more warmth from your stove – a better performance from less fuel. You can heat your living space for less than other options might cost. It also means that there's less carbon monoxide and hydrocarbon travelling up the chimney – for a cleaner atmosphere. So there's an environmental benefit on top of the economical benefit. Some would call it win-win; we call it Triple Burn.

## Optimum woodburning conditions

The Tripleburn<sup>®</sup> technology improves the ignition of the fuel, with a jet of air directed into the heart of the fire. When the grate is in the closed position, creating a flat base, it allows a deep bed of ash to build up – these are the optimum conditions for burning wood.

## Optimum solid fuel burning conditions

When burning smokeless fuel, the grate is moved to the open position by a single turn of the handle. Air is then directed under the open grate and into the heart of the fire, ensuring a clean, efficient burn.

## Independently CE tested and approved

All the stoves in the Cleanburn range meet the stringent CE approval test requirements

## Designed for and tested under the independent testing standards.

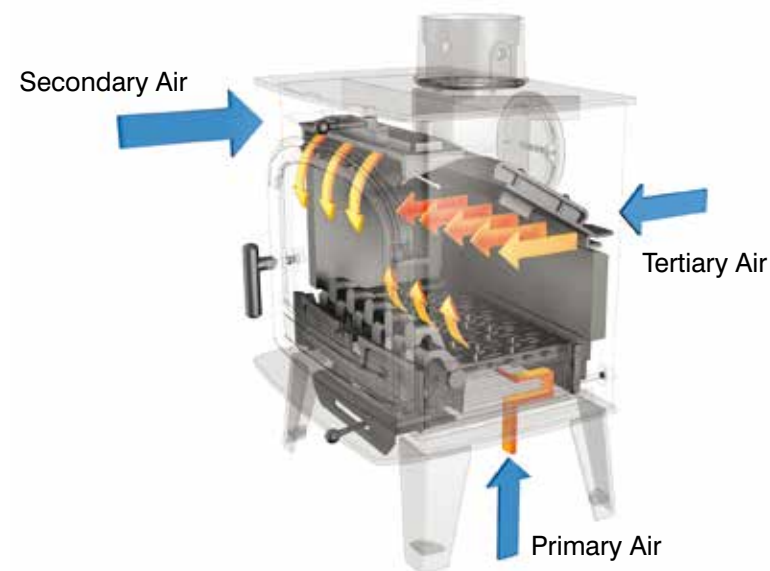
- Tripleburn<sup>®</sup> technology
- Exceptionally hot air wash
- Dust free, safe and easy riddling
- Multi-fuel grate system for burning wood or solid fuel

## Airwash keeps the glass clean

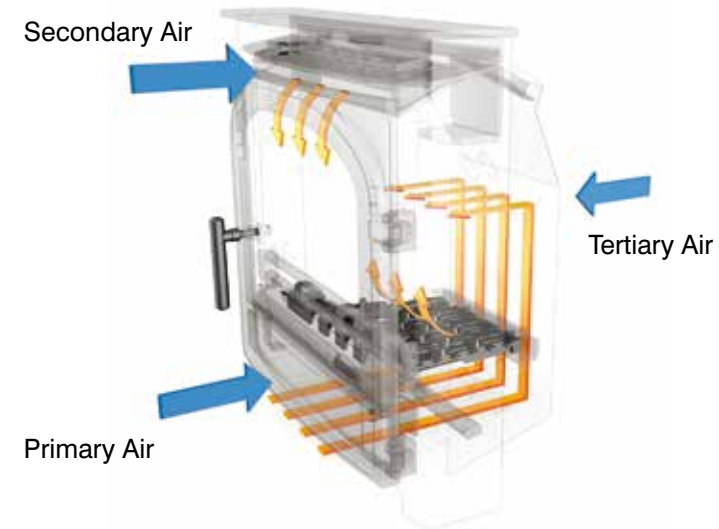
Triple Burn Technology does the work for you. A tertiary air 'wash' maintains a stream of air between fuel and door, reducing the build-up of carbon deposits on the glass.



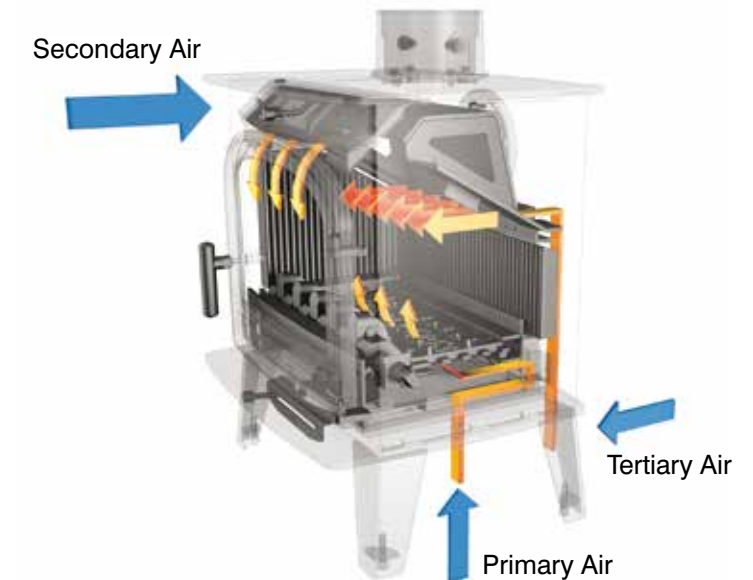
Løvenholm air flow



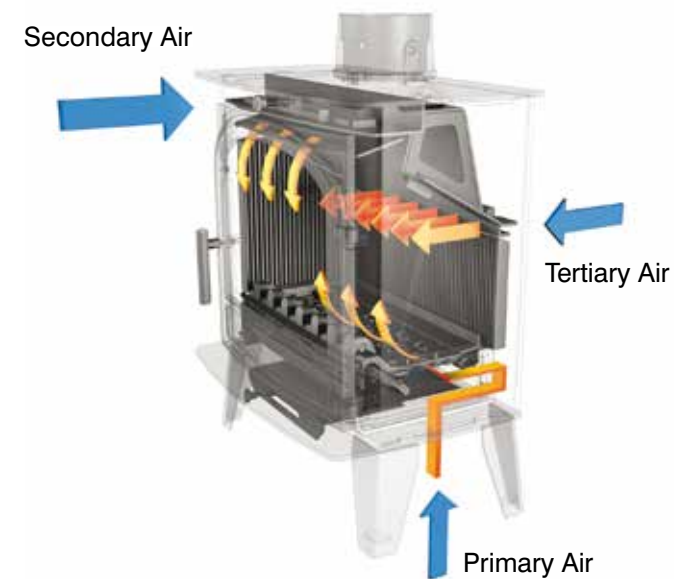
Sønderskoven Inset air flow



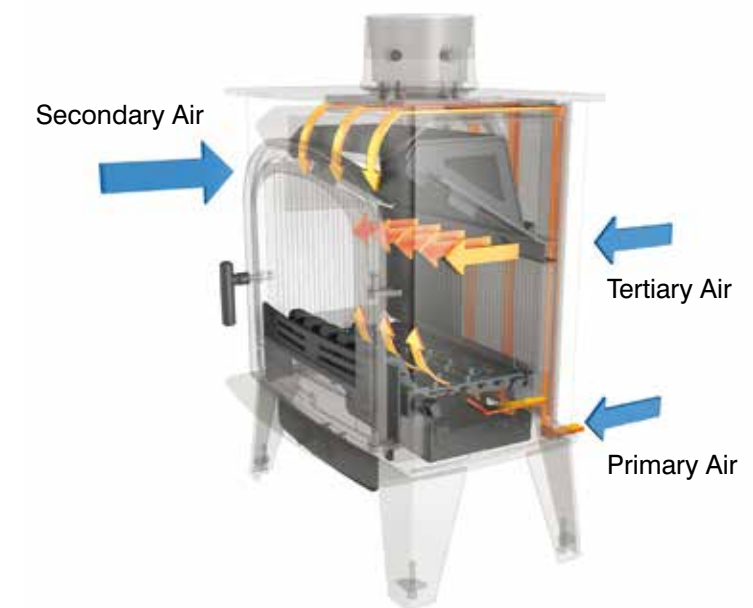
Nørreskoven air flow



Sønderskoven air flow



Skagen air flow





# Options

## Decisions decisions . . .

Whichever Cleanburn stove you choose, you have a number of options to make it perfect for your interior. Talk to your supplier about the choices available on each stove. Here's an overview of the possibilities:

## Finishes\*

Every stove is built in 5mm steel, but you can choose the finish you'd like. Image below, left to right:

- **Midnight Black,**
- **Forest Green** (Subtle Green Metallic Tint),
- **Pewter Silver** (Silver Metallic Tint),
- **Cloudy Blue** (Grey-Blue Metallic Tint)
- **Almond** (See page 8)

## Single Or Double Door? \*\*

All models are available with a single door or double door. While the single door option provides a better viewing window, the double door gives a traditional appearance.



Black knob set option



Optional flue damper



Optional flue gather box, for rear flue installations and limited space installations



Front extension \*



Left to right, Traditional, European and Pedestal models  
\* Available on Løvenholm, Nørreskoven and Sønderskoven

\* Due to printing limitations the colours shown are not necessarily an accurate representation

\*\* The Sønderskoven Pedestal and Sønderskoven Inset 5 are only available in single door.



# FAQs

## WHAT DOES 'CE' MEAN

All appliances marked with the 'CE' mark mean they have been independently tested to meet the requirements of the BS EN13240

## DOES CLEANBURN SELL DIRECT TO THE PUBLIC?

No; we have a network of trusted dealers with showrooms throughout the UK and Ireland. To locate your nearest dealer visit our web site at [www.cleanburn-stoves.co.uk/](http://www.cleanburn-stoves.co.uk/)

## HOW DO I GET MY NEW STOVE INSTALLED?

Installation must be carried out by a Hetas-approved or similarly qualified engineer and must be in accordance with Building Regulations. To investigate the suitability of your chimney, contact your local dealer, who will be pleased to arrange a site visit. This is very important, because the condition of your chimney will determine how well your stove performs; a poor chimney system will affect its efficiency. Any existing flue must be swept and inspected before installation of the stove. All multi-fuel/wood burners must be installed in a class 1 chimney.

## WHAT IF I DON'T HAVE A CHIMNEY?

There are many different flue systems available. Please contact your local dealer/ flue installer, who will be able to give you personal advice.

## MY STOVE HAS A 6" FLUE COLLAR; CAN I INSTALL IT ON A 5" FLUE?

No. The internal diameter of the flue must be no smaller than the appliance flue collar for its entire length.

## DOES MY CHIMNEY NEED LINING?

This is to be decided by your qualified Engineer.

## DO I NEED AN AIR BRICK?

Answer – 'Yes, if the output is above 5kw or The Builders permeability rating is low.'

## IS THE DIRECT AIRFLOW AVAILABLE?

This option is available on the Skagen.

## CAN I SWEEP MY CHIMNEY THROUGH THE STOVE?

Yes – it is possible to sweep the chimney through the stove, if a damper is not fitted

## WHAT TYPE OF FUEL CAN I USE?

The quality of fuel will dictate the performance of your Cleanburn Stove.

### WOODBURNING

Burn only dry, well seasoned wood. For best results, use dry wood, with a moisture content of less than 20%, which has been cut, split and stacked for at least 12 months. This is advertised as 'seasoned' wood. Burning wet or unseasoned wood will create tar deposits in the stove and chimney and won't produce a satisfactory heat output range. Wood burns best on a bed of ash and it is therefore only necessary to remove surplus ash from the stove occasionally.

### PEAT

Only to be used in turf or brick form, but the moisture content must be very low.

### SOLID FUEL BURNING

Anthracite is an approved natural smokeless fuel (not processed) but can vary greatly in quality and performance. It generally requires excellent air supply to maintain maximum performance and with experience we would suggest that it is used in conjunction with other approved manufactured smokeless fuels as per the HETAS approved list.

Please visit [www.hetas.co.uk](http://www.hetas.co.uk) for an up to date list of approved Manufactured Smokeless Fuels suitable for closed appliances.

**Only authorised smokeless fuels may be used in smoke control areas.**

**Warning! - Petroleum coke fuels or household waste must not be burnt on our appliances. Should any difficulties arise over fuel quality or suitability, consult your approved coal merchant or the Solid Fuel Advisory Service – Telephone 0845 6014406.**

## DO I NEED AN AIR BRICK / EXTENSION AIR VENT?

Yes, if the nominal heat output is above 5kw or the builders permeability is low.

## WHAT IS A FRONT EXTENSION

Most of the Multi Fuel Cleanburn Stoves have the option of using one of these. It is called, an 'Extension' because it increases the fuel load size within the firebox. Especially helpful for overnight burning. Please see page 30 for image.

## WHAT IS THE DIFFERENCE BETWEEN A WOODBURNER AND A MULTI FUEL?

A wood burner can only burn well seasoned logs, and the wood is burnt on the base of the stove. You use a shovel to clean out the ash. A multi fuel stove comes with a grate where you can burn both Smokeless fuel or well seasoned logs. There is an ash pan beneath the grate for easy removal of ash.

## CAN I BURN WOOD ON MY MULTI-FUEL GRATE?

Yes. All Cleanburn multi-fuel appliances are capable of burning wood.

## WHAT IS A GATHER BOX AND WHEN IS IT NEEDED?

A gather box is for rear flue installations where space is limited. It bolts directly on to the rear of the stove in place of the collar. Please see page 29 for image.

## DO I NEED A DAMPER?

If your chimney has an exceptionally good draught, it may be worth fitting a damper. This helps reduce the pull on the chimney and helps keep heat within the firebox which is then transferred into the room.

A damper also helps when burning wood over night as it slows the burn rate down and increases the burn time on the wood. However please note one cannot be used if installed in a smokeless zone.

## WHAT IS A NOMINAL OUTPUT?

The nominal heat output of the stove is the output achieved under specific test conditions by the test laboratory. This is recognised by the building regulations (document j) as the output that determines whether or not an external air vent is required. The stoves tend to be operated with the air controls set at less than maximum and with relatively modest fuel loads. However we recognise that end users are unlikely to operate the stoves in this way and therefore we carry out internal testing to suggest a reasonable Heat Output Range that the customer should achieve without over firing the unit.



## HOW MUCH SPACE WILL MY STOVE NEED?

With all our units it is safe to install with a clearance of 2" (50mm) either side, behind and above the stove to NON Combustible material. However for optimum performance and heat output range we recommend a clearance of 6" (150mm). To enable adjustment of the tertiary air inlet we recommend a clearance of 4" (100mm) behind the stove. Please note clearances can differ depending on installation, therefore please check the relevant installation manuals for accurate and precise clearance details. These manuals can be found on our website [www.cleanburn-stoves.co.uk](http://www.cleanburn-stoves.co.uk)

For all our units the hearth should extend 300mm in front of the appliance (from the door opening)

All of these clearance specifications are for non combustible materials.

## WHAT WARRANTY DO I GET ON MY STOVE?

All Cleanburn Stoves Authorised Dealers provide you with a standard 2 year warranty\*. Cleanburn Stoves also come with a 5 year casting warranty\*

For full warranty specifications please visit

[www.cleanburn-stoves.co.uk](http://www.cleanburn-stoves.co.uk)

( \*Naturally wearing consumables such as glass, bricks, baffles, log retainers etc are excluded from this warranty. \*\*The casting warranty does not cover items such as grate parts etc. )

For a list of authorised stockists please use our dealer locator which can be found on our website

[www.cleanburn-stoves.co.uk](http://www.cleanburn-stoves.co.uk)



# Cleanburn technical key



	Sønderskoven Inset 5	Løvenholm Room Heater	Nørreskoven Mk2 Convection Room Heater	Sønderskoven Inset 8	Skagen Room Heater	Sønderskoven Room Heater
Efficiency on wood %	77.1%	75%	80%	75%	79%	77%
Clean air act approved	✓	✓	✓*	✓	✓	~
Can be installed without an airbrick fitted and with a 5" flue **	✓	✓	✓	~	~	~
Flat Top	✓	✓	✓	✓	✓	✓
Traditional	~	✓	✓	~	✓	✓
European	~	•	•	~	~	•
Pedestal	~	~	•	~	~	•
Double door option	~	✓	✓	•	~	✓
Single door option	✓	•	•	✓	✓	•
Grate option (riddling grate)	✓	✓	✓	✓	✓	✓
*** non grated model (traditional only)	~	•	~	~	~	~
Black knob set	•	✓	•	•	•	•
Stainless steel knob set	✓	•	✓	✓	✓	✓
**** Flue Damper	~	•	•	~	•	•
Front Extension	✓	•	•	✓	~	•
Convection sides	✓	~	✓	✓	✓	✓
Coloured finish	•	•	•	•	•	•
Nominal Output	3.5kW	4.6kW	4.4kW	6kW	6kW	7.4kW
****Ventilation (mm <sup>2</sup> )	550 mm <sup>2</sup>	0	0	550 mm <sup>2</sup>	550mm <sup>2</sup>	1100mm <sup>2</sup> .
Log sizes (approx)	415mm - 16 11/32"	300mm - 11 3/4"	320mm - 12 1/4"	415mm - 16 11/32"	400mm - 15 3/4"	420mm - 16 1/2"
Leg Lengths	N/A	148mm - 5 3/4"	148mm - 5 3/4"	N/A	190mm - 7 "	176mm - 7"

✓ standard • option ~ not available

\*  Only the Traditional & European Nørreskoven Models are Defra Approved.

\*\* NB. Dependent on the Builders Air permeability rating.

\*\*\* NB. If a grated model is bought it is not possible to convert this to a non grate model. Woodburning versions (without grate) may only be installed on a Constructional Hearth. Only available on the Løvenholm Single Door Traditional Model.

\*\*\*\* Cannot be installed if used in a smokless zone. NB. Løvenholm traditional is only available as a wood version when single door.

**NB** Ventilation is dependent on the permeability rating of the building.

For further details please visit:

<http://www.planningportal.gov.uk/buildingregulations/approveddocuments/partj/approved> and download the free copy of Document J. Info about the ventilation and air permeability ratings is table 1 on page 29.

Only Free Standing Stoves i.e not fitted in a recess, can be installed on a 12mm hearth.

Efficiency test results are derived from Independent & in house testing.



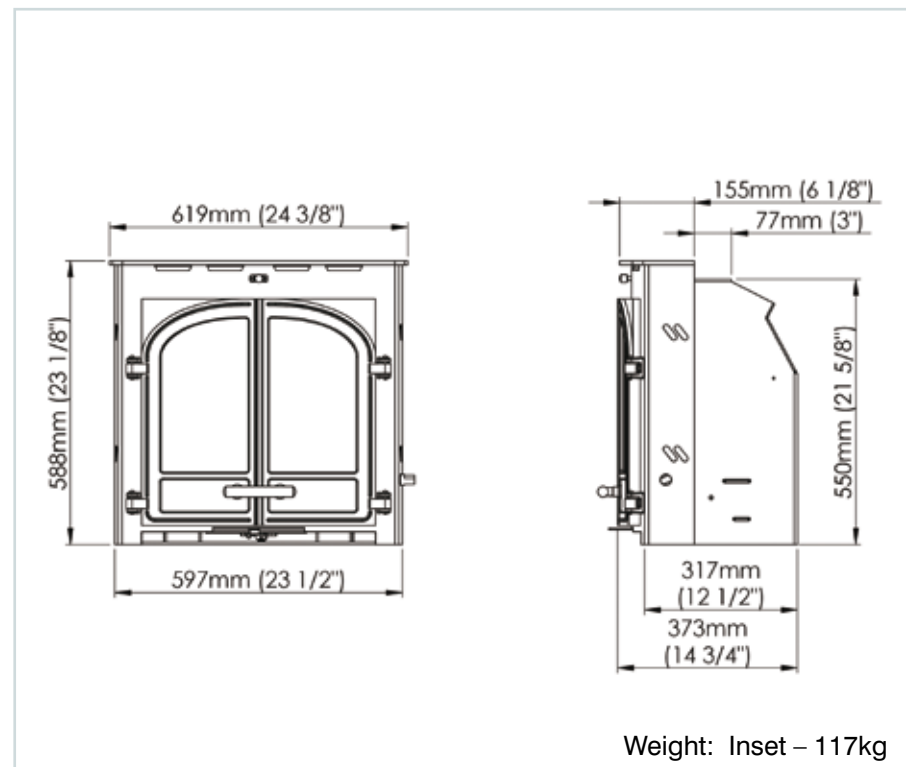
# Technical specifications

## Measure and customise your stove

Check the dimensions to see if your favourite stove will fit into the space you have in mind. Next, select your model – the Nørreskoven and Sønderkoven both come in Classic, Plinth or Europe styles, while the Løvenholm comes in Classic and European styles. Classic is the traditional-look stove with short legs and the Europe style features a built-in log store. Now, specify whether you'd like a single or double door. Finally, it's over to us: your stove is built to order at our assembly line in Cornwall. We look forward to delivering your Cleanburn stove!

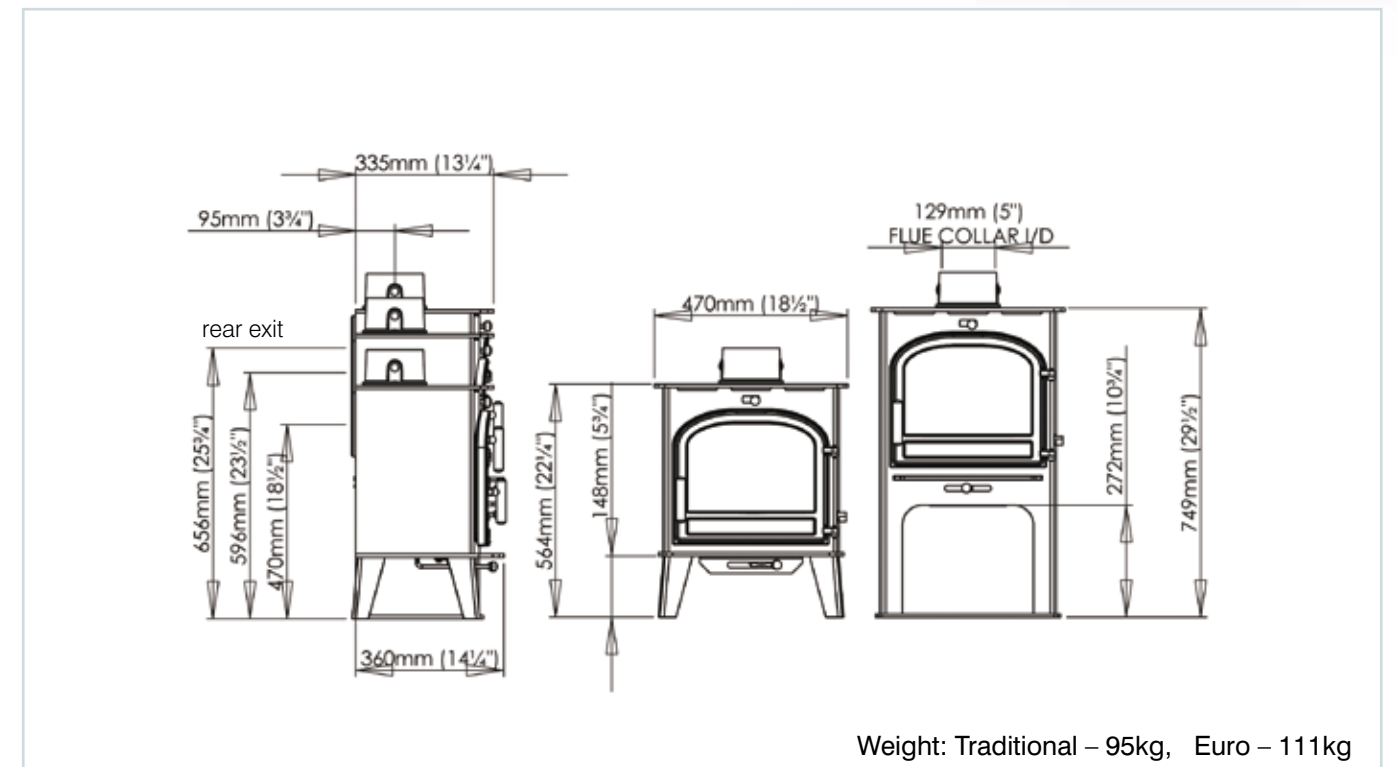


## Sønderkoven Inset 5



Sønderkoven Inset Stoves are DEFRA approved.

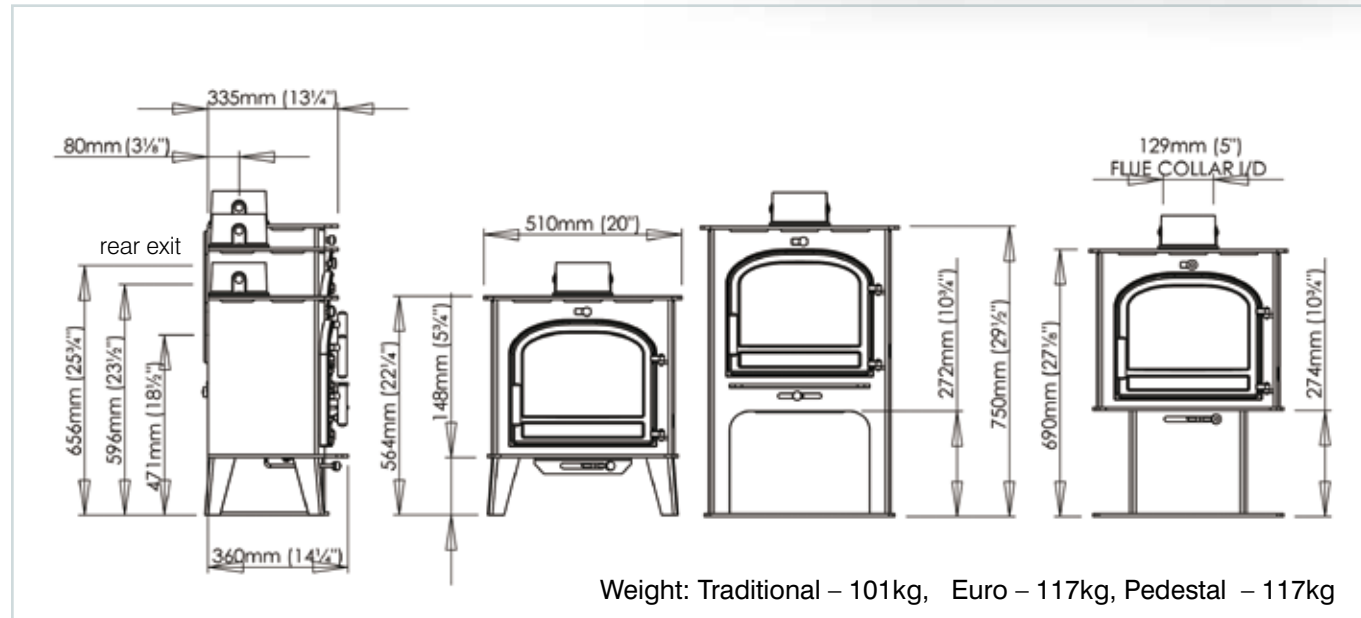
## Løvenholm



Løvenholm Stoves are DEFRA approved.



# Nørreskoven

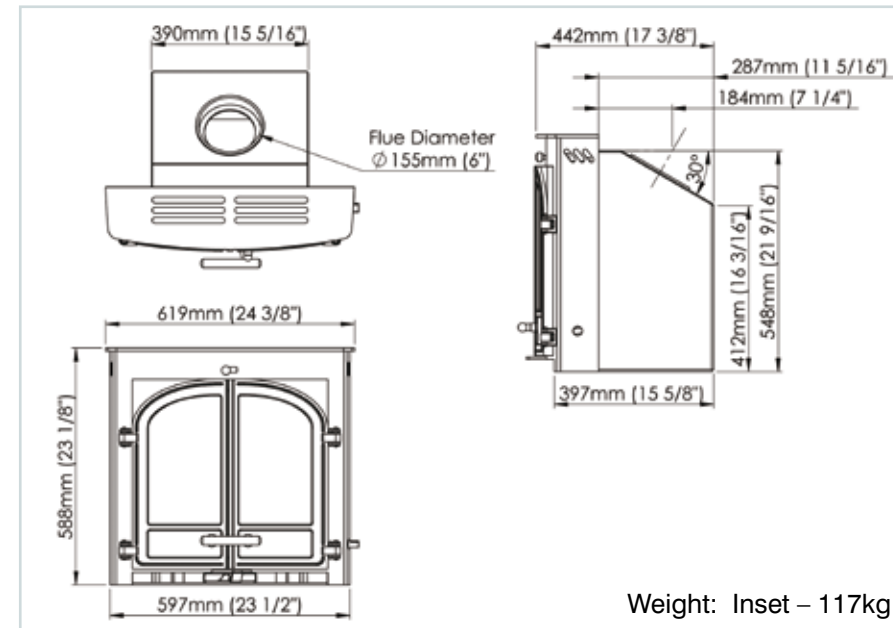


Weight: Traditional – 101kg, Euro – 117kg, Pedestal – 117kg

Nørreskoven Traditional and European Stoves are Defra approved. The pedestal model is only CE approved.



# Sønderskoven Inset 8

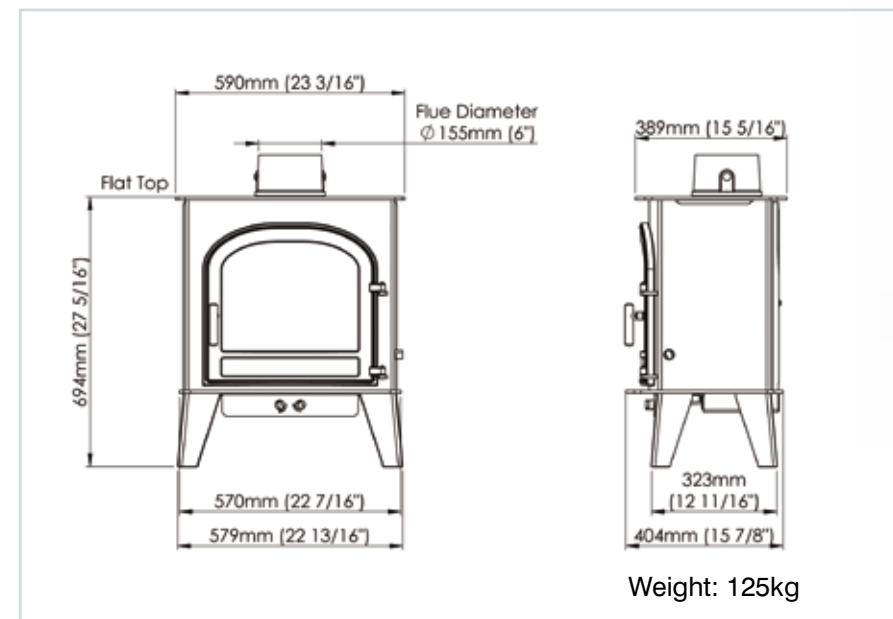


Weight: Inset – 117kg

Sønderskoven Inset Stoves are DEFRA approved.



# Skagen



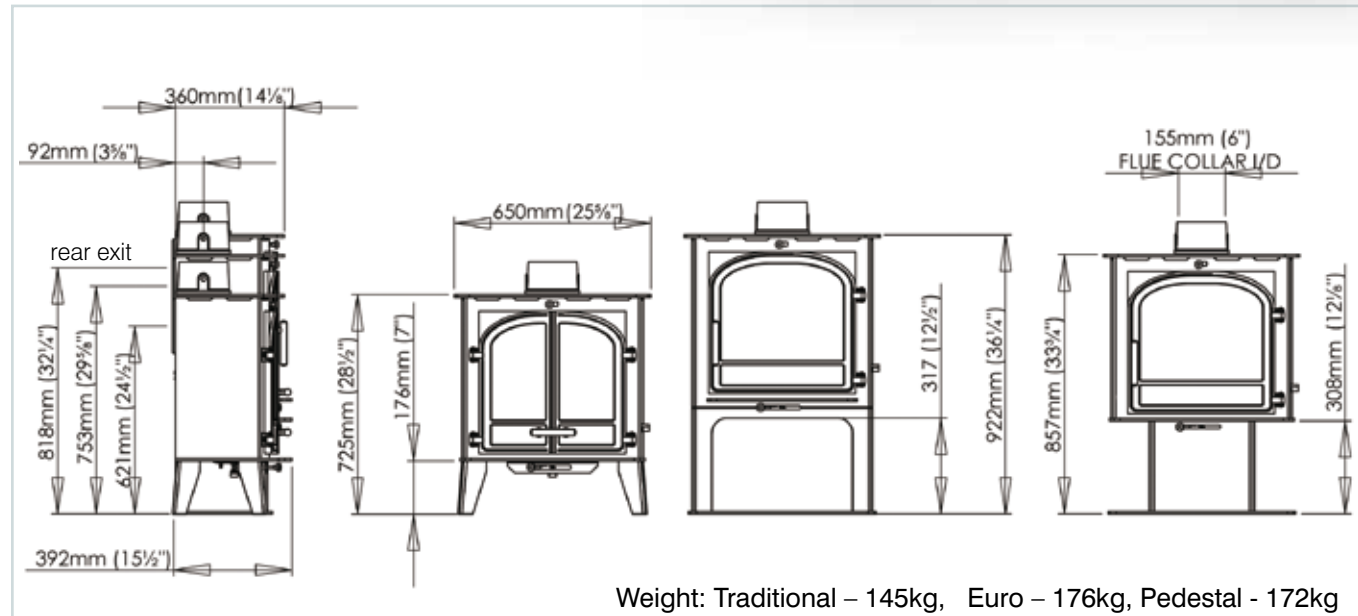
Weight: 125kg

Skagen Stoves are DEFRA approved.





# Sønderskoven



Weight: Traditional – 145kg, Euro – 176kg, Pedestal - 172kg

Sønderskoven Stoves are CE approved.

Heat outputs are dependent on fuel load and installation parameters. Performance of units can vary greatly dependent on flue draughts, weather conditions, type of fuel and moisture content etc. Weights are approximate and can vary. Cleanburn has a policy of continuous product improvement and therefore reserves the right to change specifications and designs at any time without prior notice. Cleanburn recommends that the suitability of any installation should firstly be agreed with a HETAS qualified installer, or similarly accredited professional, to ensure compliance with Building Regulations. Cleanburn will not be held responsible for any losses, however arising, from inappropriate installations by unqualified or non-competent installers. An inappropriate installation may also invalidate claims made under the manufacturer's warranty or guarantee.

## Hunter Superior Choice

From the smallest to the largest, every stove has built-in features that improve its performance.

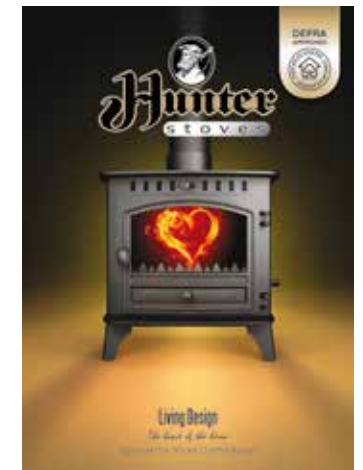
For example, Cleanburn – a system designed to reduce carbon emissions from the stove. When you buy a Hunter stove, you get the full package – and a few extra surprises, too.



## Hunter Living Design

Hunter Stoves are built on over 40 years of expertise – and equipped to face the future.

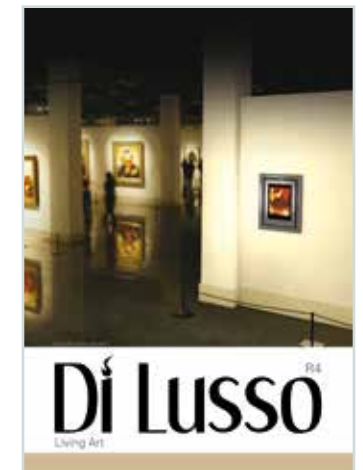
Whichever model you choose, you can now enjoy better performance, more options, and a cleaner future.



## Di Lusso

Icona Futuro . . . Designed for designers, the Di Lusso R4 epitomises smooth Italian chic.

It's got the trustworthy performance of a Vespa and the smooth finish of espresso crema. This sleek, flush-to-the-wall stove brings you real flames – in a modern frame.



## Eco-Ideal

eco-ideal isn't just a name – it's a statement. We believe that our British landscape is worth protecting. So we designed the eco-ideal range with significantly lower emissions than traditional multi-fuel stoves. Certified by European experts to be exempt from the Clean Air Act, every eco-ideal heater is permissible in Smoke Control areas.







Your Local Stockist

